

OLYMPUS[®]

Your Vision, Our Future

EVIS EUS

EVIS EXERA II ULTRASOUND GASTROVIDEOSCOPE

GF-UCT180

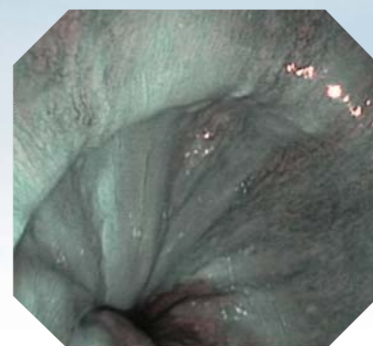
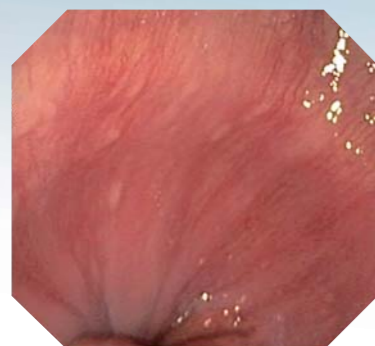
Offering Increased Imaging Depth, This Scope's New Curved Linear Array Transducer Lets You Step Up to the Next Level in Ultrasound Imaging and Performance



Improved B-mode imaging capability, redesigned forceps elevator, Contrast Harmonic Echo capability*, and detachable ultrasound cable

Featuring a newly developed curved linear array transducer that delivers higher-quality ultrasound images with greater imaging depth in B-mode, the GF-UCT180 offers you the power and flexibility you need for everything from straightforward tissue sampling to sophisticated EUS-guided treatment. A redesigned forceps elevator gives you more reliable control over devices passed through the 3.7 mm diameter instrument channel, while the slim 12.6 mm diameter insertion tube ensures smooth insertion. Advanced capabilities include support for Contrast Harmonic Echo*, a technique that can realize visualization of microvasculature structures. Other features include a high-resolution CCD for sharp video images, Narrow Band Imaging (NBI) capability and a detachable ultrasound cable that facilitates easier handling, reprocessing and storage, as well as ensuring system compatibility.

* Available only in combination with the ALOKA ProSound α 10.



NBI



B-mode

The GF-UCT180 offers outstanding platform flexibility using a single detachable cable that lets you connect the ultrasound endoscope to a choice of OLYMPUS and ALOKA ultrasound centers



MAJ-1597

UNIVERSAL ENDOSCOPIC ULTRASOUND CENTER EU-ME1

Integrates electronic and mechanical scanning in a single unit

Fitting comfortably on the shelf of an endoscopic trolley, this extraordinarily versatile unit is fully compatible with the complete OLYMPUS line of ultrasound endoscopes, regardless of whether the connected scope uses mechanical or electronic EUS technology, curved linear array or radial scanning mechanisms. With an excellent B-mode image, highly sensitive Power and Color Doppler capability, and more, the EU-ME1 offers exceptional performance in an integrated compact design.

ALOKA Diagnostic Ultrasound System ProSound α 10

Standard setter that delivers unparalleled sensitivity and resolution

With enhanced spatial and contrast resolution, improved near and far field image uniformity, and new ePureHD technology, ALOKA's standard-setting ProSound α 10 delivers unparalleled sensitivity and resolution for both Tissue Harmonic Echo and Contrast Harmonic Echo. Breakthrough performance is backed up by superior connectivity and a comprehensive suite of data analysis tools, all integrated in an ergonomically designed, easily upgradeable platform.

GF-UCT180 supports a variety of procedures from imaging EUS to interventional EUS



- **Detachable ultrasound cable**

A detachable ultrasound cable design makes the GF-UCT180 easier to handle, reprocess and store and provides it with the flexibility to connect to different ultrasound platforms.

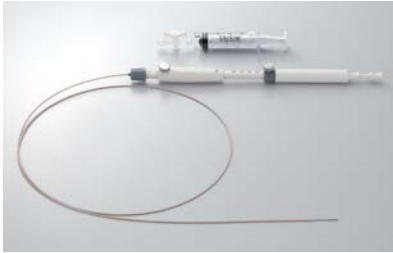
- **Redesigned forceps elevator**

The GF-UCT180 features a redesigned forceps elevator that gives you more reliable control over devices passed through the 3.7 mm diameter instrument channel.

- **Ideal for EUS-guided FNA**

Combining the GF-UCT180's slim 12.6 mm diameter insertion tube, ensuring smooth insertion, with the EZ Shot 2 aspiration needle (NA-220H/230H) and connecting it to either platform shown above creates a system ideal for EUS-guided FNA.

OLYMPUS GF TYPE UCT180



Single Use Aspiration Needle NA-220H/230H

EZ Shot 2™

Single-use, easy-to-use needle with excellent puncture capability

For use with any OLYMPUS ultrasound endoscope designed for EUS-guided fine needle aspiration (FNA), the pre-sterilized, pre-assembled and ready-to-use EZ Shot 2 offers good needle tip visibility and adjustable needle projection, from 0 to 80 mm. Simple to attach and easy to use, the EZ Shot 2 provides everything you need for effective FNA in one package



Ultrasound Cable MAJ-1597

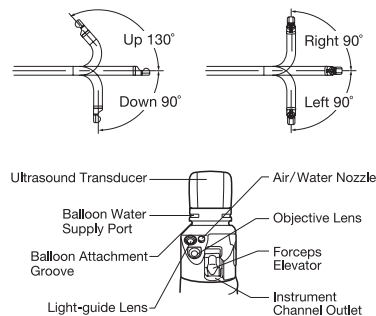
The ultrasound cable for the GF-UCT180 is optionally available and is not provided with the scope. The cable's detachable design makes the ultrasound endoscope easy to handle, reprocess and store, as well as ensuring excellent platform compatibility.

Specifications

Endoscopic Functions	Optical System	Field of view	100°	
		Direction of view	Forward oblique viewing 55°	
		Depth of field	3 to 100 mm	
	Insertion Tube	Distal end outer diameter	14.6 mm	
		Insertion tube outer diameter	12.6 mm	
		Working length	1250 mm	
	Instrument Channel	Channel inner diameter	3.7 mm	
		Minimum visible distance	6 mm	
	Bending Section	Angulation range	Up 130°, Down 90° Right 90°, Left 90°	
			Total Length	1555 mm



Ultrasound Functions		With EU-ME1	With ALOKA α 10
	Cable	MAJ-1597	
	Cable Length	1500 mm	
	Operation Mode	B-mode, Color Flow mode, Power Flow mode	B-mode, M-mode, D-mode, Power Flow mode, Flow mode
	Scanning Method	Electronic curved linear array	
	Scanning Direction	Parallel to the insertion direction	
	Frequency	5, 6, 7.5, 10, 12 MHz	5, 6, 7.5, 10 MHz
	Scanning Range	180°	
	Contacting Method	Balloon method, Direct Contact method	



Specifications, design and accessories are subject to change without any notice or obligation on the part of the manufacturer.



OLYMPUS MEDICAL SYSTEMS CORP.
Shinjuku Monolith, 2-3-1 Nishi-Shinjuku, Shinjuku-ku, Tokyo 163-0914, Japan

For a complete listing of sales and distribution locations visit:
www.olympus.com